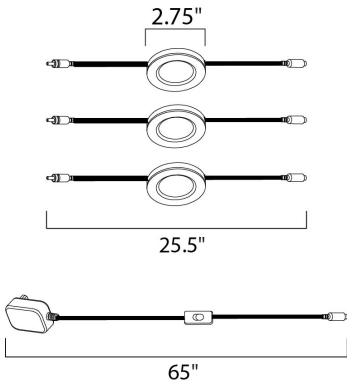




**PRODUCT DESCRIPTION**

Now our MX-LD-KIT discs are available in a convenient kit for the DIY customer. The kit includes three discs and a plug in driver with switch for fast and easy installation. These discs can be surface mounted or recessed. Die cast aluminum construction provides for durable construction and cool operation and are available in your choice of Bronze, White, or Aluminum.



**MEASUREMENTS**

DIMENSION : 2.75" W x 0.5" H  
 HANGING WEIGHT : 0.55 lb

**LAMPING**

INPUT VOLTAGE : 24V  
 LUMENS : 220 Rated (0 Del.)  
 BULB : 3 x 2.3W LED (INTEGRATED), 0W Total  
 CRI : 80+ CRI  
 COLOR\_TEMP : 3000K

**FINISHES OPTION**

Anodized Bronze BRZ



**MATERIAL**

Aluminum

**RATINGS**

Dry Location  
 LED



**ADDITIONAL**

INSTALL UP/DOWN:  
 OPERATING TEMPERATURE:  
 -20°C (-4°F), 40°C (104°F)

Always consult a qualified electrician before installing any lighting product.



**WESTERN DISTRIBUTION CENTER (HEADQUARTER)**  
 253 NORTH VINELAND AVE | CITY OF INDUSTRY, CA 91746  
**EASTERN DISTRIBUTION CENTER**  
 4200 SHIRLEY DR. | ATLANTA, GA 30336  
 P. 626.956.4200 | F. 626.956.4225 | maximlighting.com