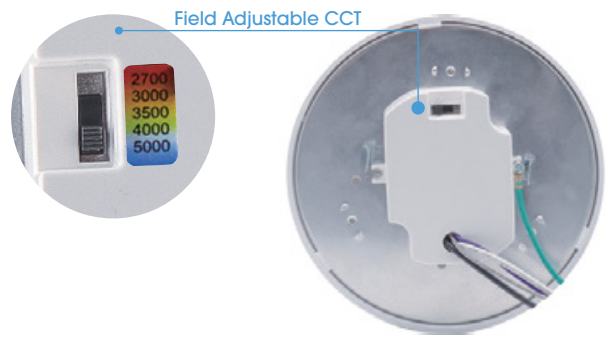


# CM408RA-07R

7" LED SURFACE MOUNT  
SURFACE MOUNT WITH SLIM TRIM



Fixture Type
Project
Notes



The LED Surface Mount with Slim Polycarbonate Trim series is designed for residential and commercial applications. With ultra Low profile design measures a depth of only 5/8" and ADA Compliant for Wall Mounting can easily install within a standard junction box or housing. The White translucent acrylic provides comfortable non-glare lighting with no hot spots and instant on. Triac Dimming with 5-Level field-selectable Color Temperature and an emergency battery backup lasting 90 minutes is available.



## SPECIFICATIONS

<b>INPUT VOLTAGE</b>	120V AC
<b>WATTAGE</b>	15 W
<b>LUMENS</b>	900 Lm
<b>EFFICACY</b>	60 Lm/W
<b>CRI</b>	90+
<b>BEAM ANGLE</b>	120°

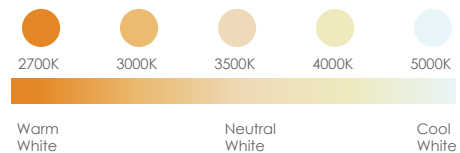
<b>DIMMING<sup>1</sup></b>	TRIAC Dimming
<b>ENVIRONMENT</b>	Indoor - Dry & Wet
<b>CERTIFICATIONS</b>	cETLus, T24 Compliant
<b>LUMEN MAINTENANCE</b>	50,000 hours
<b>WARRANTY<sup>2</sup></b>	5 years

CM408RA INSTALL SHEET      BATTERY INSTALL SHEET

<sup>1</sup> Effectively dim down to 10% / See other compatible dimmers on the next page  
<sup>2</sup> See published warranty terms for detailed information

## PERFORMANCE

COLOR TEMPERATURE <sup>3</sup>	LUMEN <sup>4</sup>	WATTAGE	EFFICACY	CRI
SW5 (27/30/35/40/50K) <sup>5</sup>	900 Lm	15 W	60 Lm/W	90+



<sup>3</sup> & <sup>4</sup> CCT within +/-10%  
<sup>5</sup> Switchable CCT

## ORDERING INFO



### OPTIONAL EMERGENCY BATTERY BACKUP (Sold separately)



**MODEL**  
**CM408RA-07R-EM-WH**  
Emergency Battery Backup for 7" Round LED Slim Surface. Lithium battery backup module 24 hours recharge time. 120V, 60Hz, max. 0.2A, max. 15W. Operated time in the emergency mode: 90 min.  
Dimensions: 7-7/8" Ø x 1" H

Shown with CM408RA-07R-120V-SW5

### OPTIONAL MOUNTING PLATE (Sold separately)



**MODEL**  
**CM408RA-07R-MP-WH**  
Mounting Plate  
To match the depth of a CM408 with Emergency Battery Backup installed within the same space, the CM408RA-07R-MP-WH can be attached to the back of a standard fixture.  
Dimensions: 7-7/8" Ø x 1" H

Shown with CM408RA-07R-120V-SW5

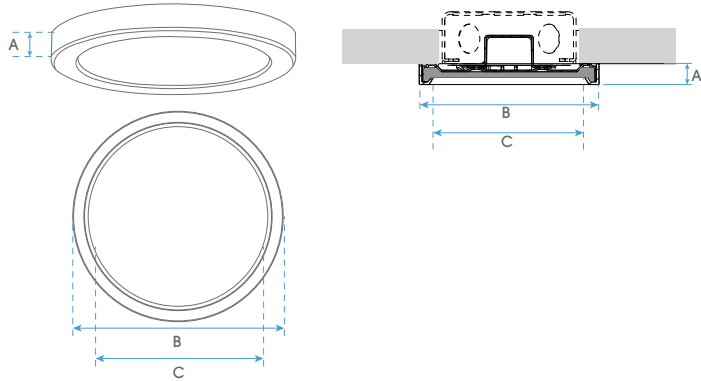
# CM408RA-07R

7" LED SURFACE MOUNT  
SURFACE MOUNT WITH SLIM TRIM



Fixture Type
Project
Notes

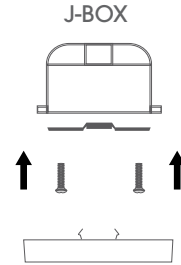
## DIMENSIONAL DRAWINGS



### DIMENSIONS

<b>A</b>	5/8"	16 mm
<b>B</b>	7-7/8"	201 mm
<b>C</b>	7"	179 mm

## INSTALLATION



- Attach mounting bracket to J-box
- Click downlight into mounting bracket

J-box Accessories:

- Mounting bracket
- 2 Screws
- 3 Wire Nuts



## COMPATIBLE DIMMERS

<b>LEVITON</b>	6681, 6672
<b>LUTRON</b>	PD-6WCL, DVCL-153P, CTCL-153P, MACL-153M, TGCL-153P