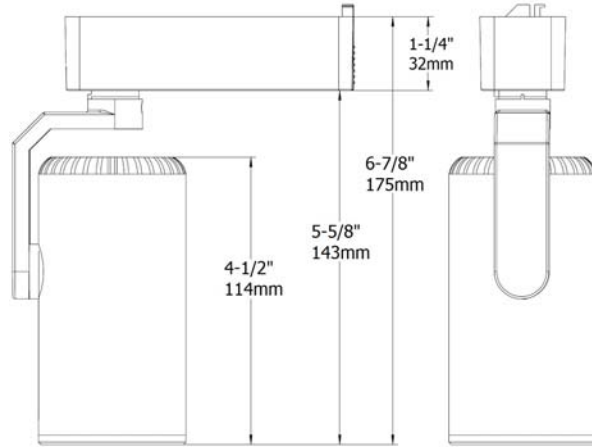




# L621H

120V LED TRACK LUMINAIRE

Type	
Project	
Catalog No.	



## DESCRIPTION

Line voltage LED track fixture in a clean and compact design. Detailed yoke with smooth transition line. suitable for residential application or smaller spaces with low mounting height.

### CONSTRUCTION

Injection molded polycarbonate driver housing.  
Die-cast aluminum arm.  
Extruded aluminum heatsink and LED housing.  
Powder coat paint.  
350° horizontal, ±90° vertical aim adjustment.

### MOUNTING

Provides electrical and mechanical connection to single or two circuit track.

### ELECTRICAL

Input	120VAC 50/60Hz
Input Power	16.5W
Efficacy	83 lm/W
Power Factor	>0.9
Dimming	10% using recommended dimmer Lutron <sup>1</sup> SCL-153P Lutron <sup>1</sup> DVCL-153P Lutron <sup>1</sup> MACL-153M Lutron <sup>1</sup> CTCL-153P

### LED

CCT	3000K
CRI	>80
Color Control	3-step MacAdam ellipse
Luminous Flux	1372 lm
Optics	38°

Passive thermal management provides silent operation to yield over 70% lumen maintenance for a minimum of 50,000 operation hours in 25°C (77°F) ambient.

### LABELS

cETLus Listed

### WARRANTY

3 Years

## ORDERING INFORMATION

SYSTEM	SERIES	CCT	CRI	FINISH
H2 = H1 or H2 Track L2 = L1 or L2 Track J2 = J1 or J2 Track	L621H	30 – 3000K	80 – 80	B – Black W – White
	L621H	30	80	

Notes:  
<sup>1</sup>Lutron is a registered trademark of Lutron Electronics, Inc.



www.jescolighting.com  
support@jescolighting.com  
Tech Support: 855.592.0029

15 Harbor Park Drive  
Port Washington, NY 11050  
Main Line: 800.527.7796  
Fax Line: 855.265.5768

219 South 6<sup>th</sup> Ave  
City of Industry, CA 91746  
Main Line: 855.654.0110  
Fax Line: 626.333.2955

Specifications subject to change without notice.